

KCP33RX170



■ Boom specifications

Vertical reach	33 M	(108' 3")
Horizontal reach	29,5 M	(96' 10")
Reach from front of truck	27,1 M	(89')
Unfolding height	7,8 M	(25' 9")
Section articulation	90 ° / 180 ° / 240 ° / 245 °	
Rotation	370 °	
Delivery line	125 mm	(5")
Proportional boom	Yes	
End hose length	4 M	(13')
Outrigger spread-front	6,18 M	(20' 3")
Outrigger spread-rear	7,15 M	(23' 5")
Max outrigger weight	17,000 kg	(37530 lbs)

■ Pump specifications

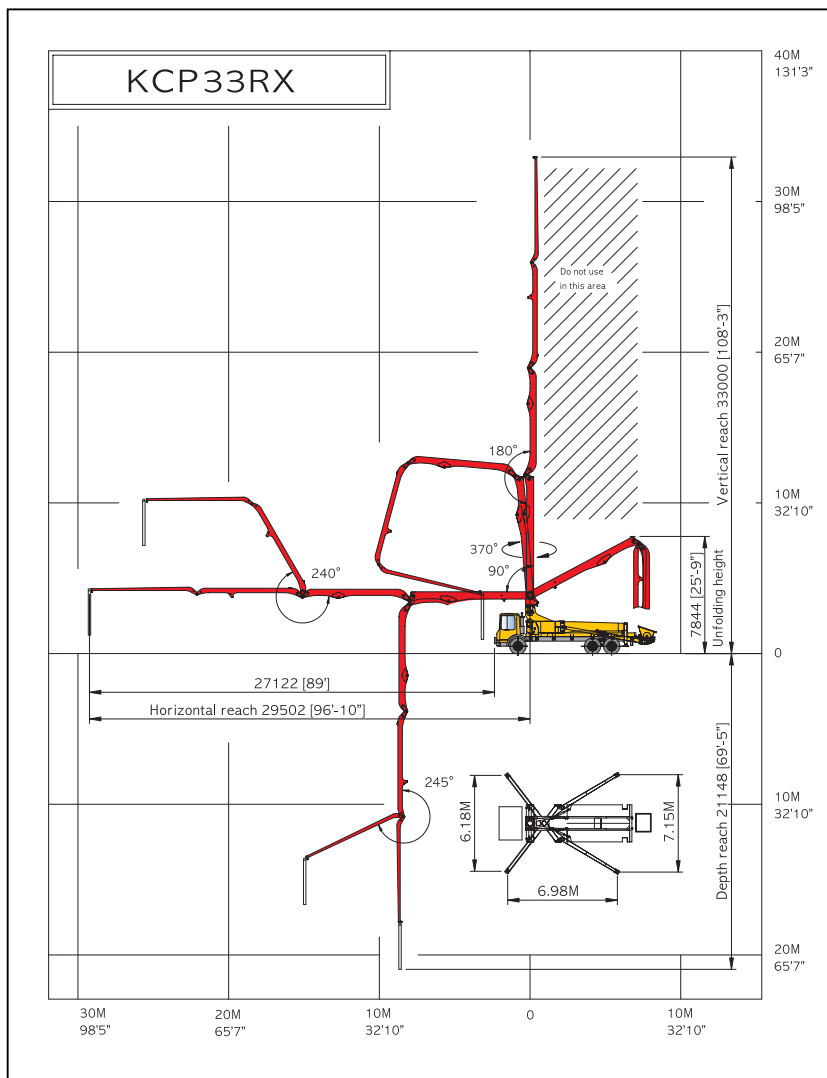
Maximum output	170 m ³ /h	(222 yd ³ /h)
Concrete cylinder	Ø230×2100mm	(9"×83')
Stroke per minute	32	
Concrete pressure(rod)	72 bar	(1044 psi)
Hopper capacity	0,6 m ³	(21 ft ³)
S-tube	Ø200×Ø180	(8"×7")
Hydraulic pump	Kawasaki K3V140DT (Rexroth A11VO260)	
Cycling system	Hydraulic with manual overrides	
Max aggregate size	60 mm	(2 1/2")

※ maximum theoretical values listed.

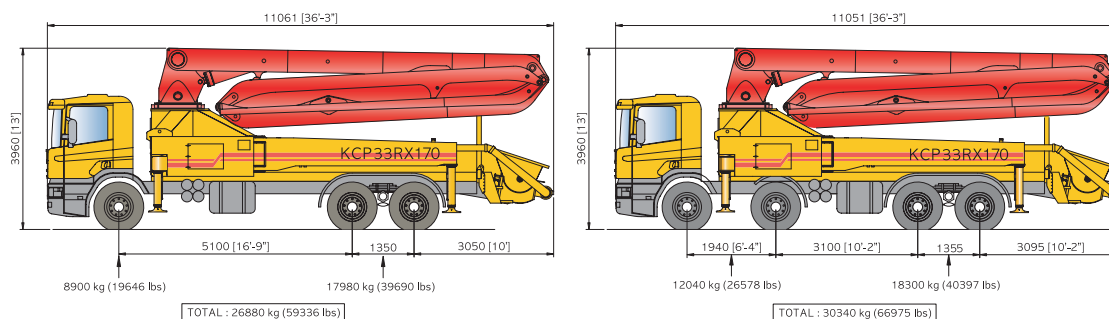
■ Truck mounted specifications

Available SCANIA, VOLVO, MERCEDES BENZ, MAN, IVECO, DAF, MAZ, ASTRA, MR MACK, FREIGHTLINER, HYUNDAI, DAEWOO, ...

■ Working diagram



■ Weight diagram



※ photos and drawings are for illustrative purpose only.
 ※ dimension will vary with different truck makes, models and specifications.

※ right to make technical amendments reserved.