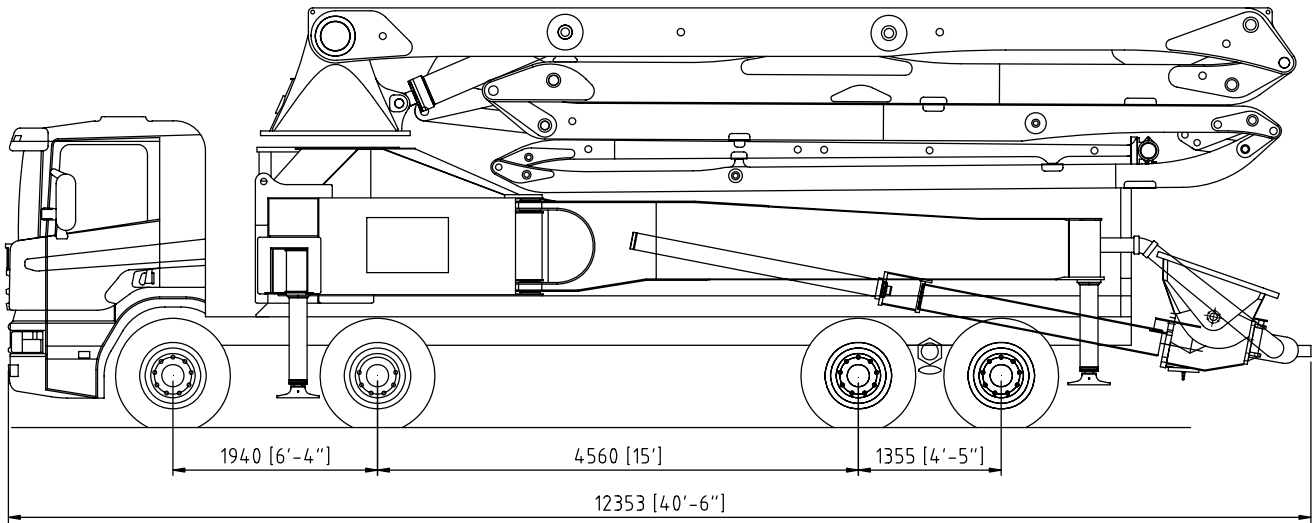


Our Pride ...

KCP42RZ170



▣ Boom specifications

Vertical reach	41.5M	(136'1")
Horizontal reach	37.4M	(122'9")
Reach from front of truck	34.7M	(113'8")
Unfolding height	8.75M	(28'8")
Section articulation	92°/180°/230°/180°/250°	
Rotation	370°	
Delivery line	125 mm	(5")
Proportional boom	Yes	
End hose length	4M	(13')
Outrigger spread-front	8.23	(27')
Outrigger spread-rear	9.08	(29'10")
Max.outrigger weight	27,000kg	59,526lbs

▣ Pump specifications

Maximum output	170 m ³ /h	(222yd ³ /h)
Concrete cylinder	Ø230×2100	(9"×83")
Stroke per minute	32	
Concrete pressure	72 bar	(1044psi)
Hopper capacity	0.6 m ³	(21 ft ³)
S-tube	Ø200×Ø180	(8"×7")
Hydraulic pump	KAWASAKI - K3V140DT	
Cycling system	Hydraulic with manual overrides	
Max. aggregate size	60 mm	(2 1/2")

⊙ Maximum theoretical values listed.

⊙ Photos and drawings are for illustrative purpose only

⊙ Dimension will vary with different truck makers, models and specifications

⊙ Right to make technical amendments reserved

▣ Working diagram

